



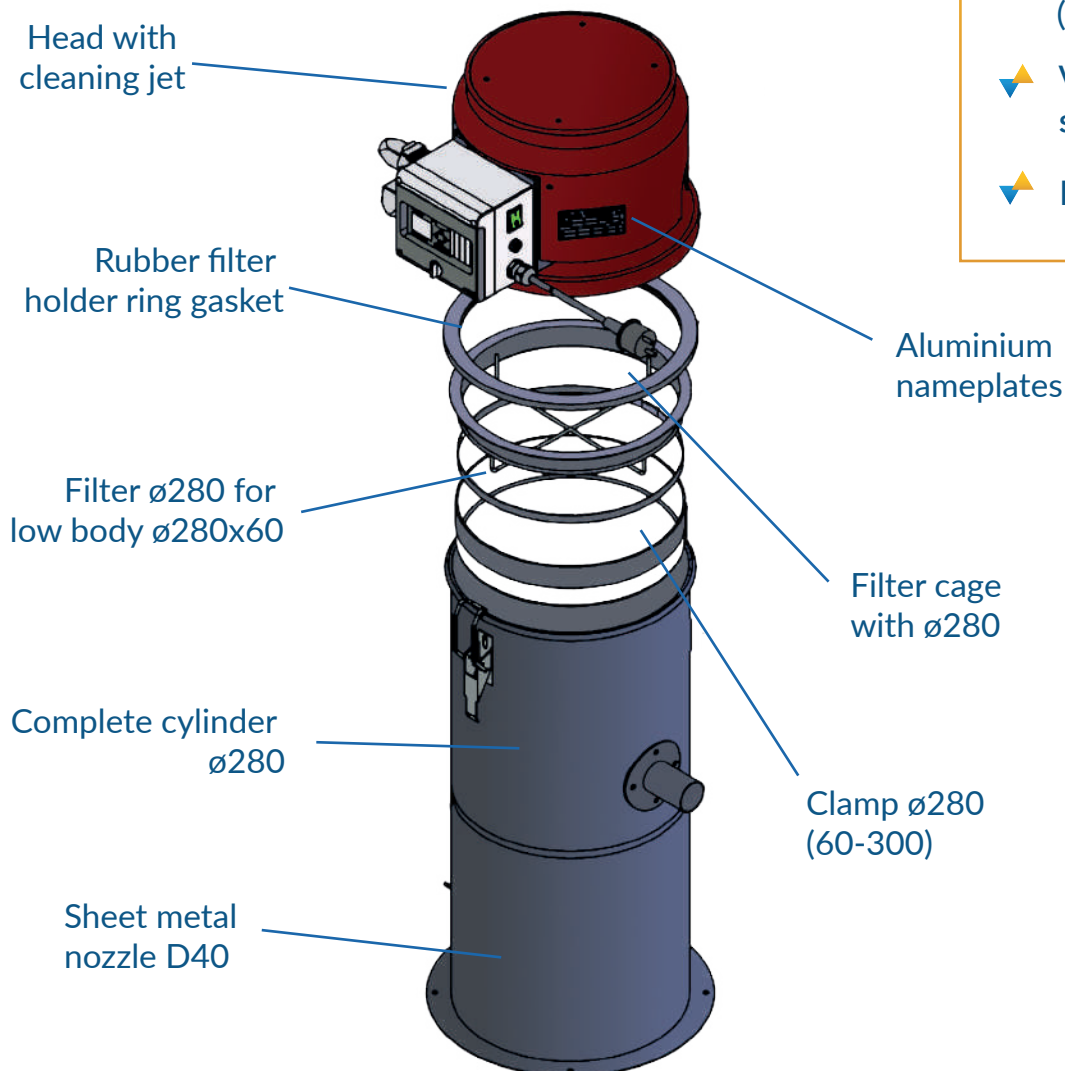
Wastewater



Potable water

The AVP Polymatic vacuum cleaner has been designed to work with all polymer powders on the market. This vertical powder suction allows to feed storage hoppers installed on polymer preparation units which are often out of reach.

- ▶ Robustness
- ▶ Easy to use
- ▶ Low maintenance
- ▶ Automatic filter cleaning
- ▶ Light equipment (15 Kgs)
- ▶ Vacuum body : stainless steel
- ▶ Programming screen



Thanks to this suction system, operators no longer need to lift heavy bags into high, inaccessible hoppers.

This system can be adapted to all of our units, as well as others...





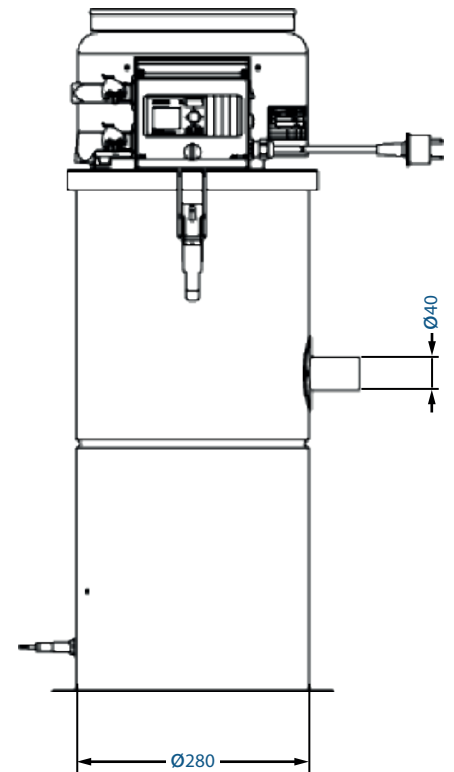
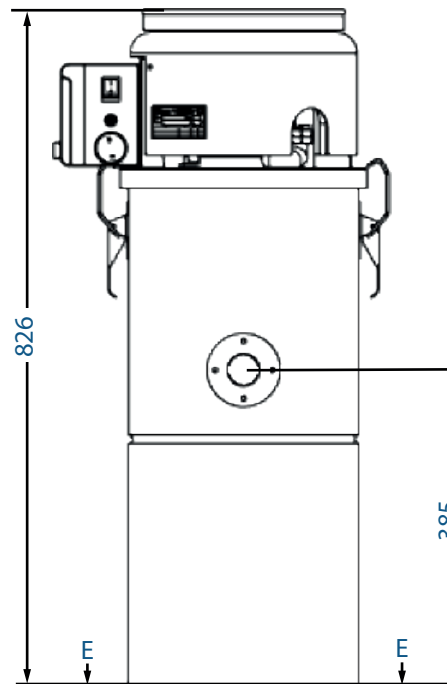
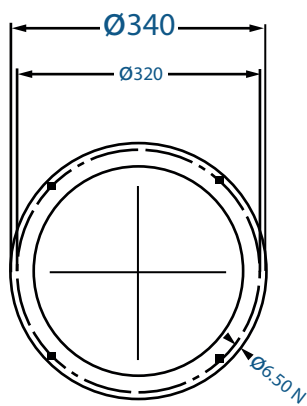
Wastewater



Potable water

SPECIFICITIES

- ▲ Turnkey equipment
- ▲ Tank capacity: 9 L
- ▲ Indicative capacity: 200-250 Kg/h
- ▲ 1250W single-phase motor, voltage 220V - 50hz
- ▲ Compressed-air jet cleaning system
- ▲ Compressed air pressure required: 4/6 bar



IMPLANTATION

