

# Vertical Scrubber



**Waste water**



**Drinking water**



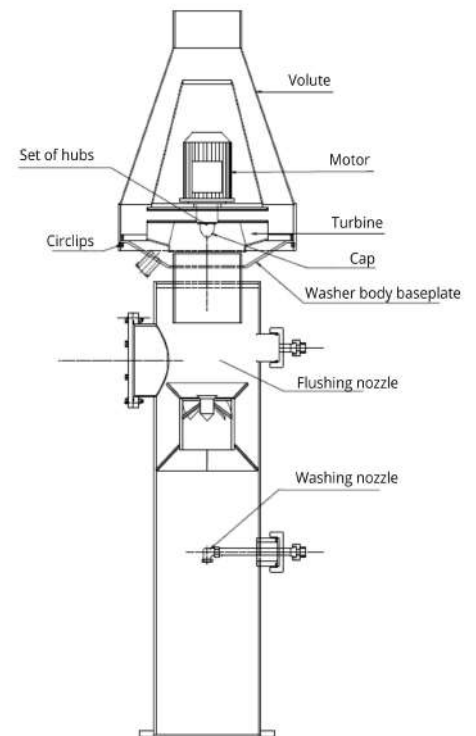
**Air & smoke**

## Vertical scrubber :

The Sodimate vertical scrubber is designed to extract air charged with moisture and corrosive gases.

The vertical scrubber works by spraying a stream of small droplets of liquid onto the incoming stream. The droplets capture the particles and the liquid is then removed for treatment.

It is used in industrial and chemical applications, etc... Where noxious particles and gases are produced by manufacturing or processing activities.



## Advantages :

- Treatment of high-temperature inflows
- Treatment of highly particulate-loaded air
- Gas adsorption and dedusting are processed in a single unit
- Corrosive gases and dust are neutralised

## Installation of a scrubber on a tank :





Waste water



Drinking water



Air & smoke

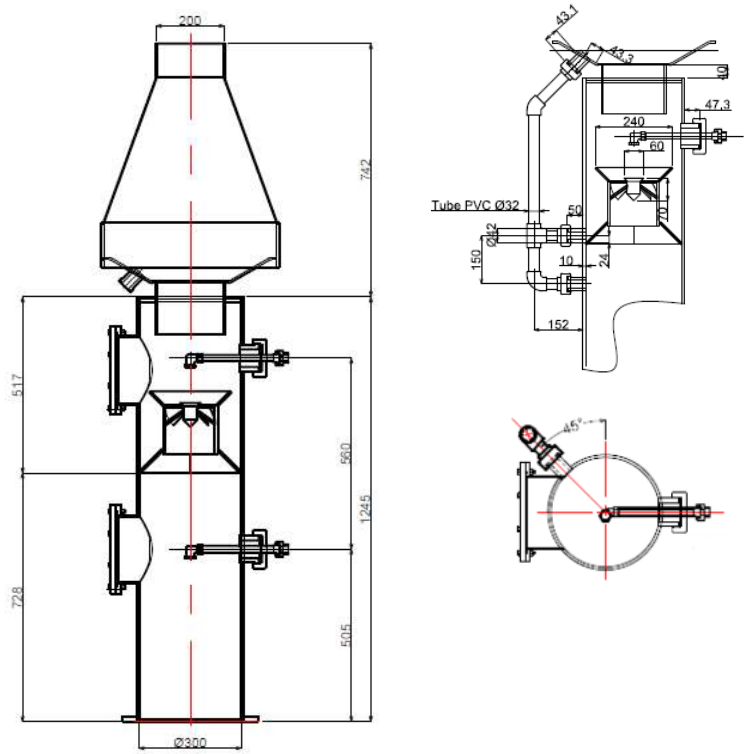
## Operation :

The installation ensures intensive contact between the gas flow and the washing liquid. This contact causes some gaseous particles to move towards the fluid.

Once treated, the air is released through an exhaust pipe.

## Specificity :

- Material: PPH (polypropylene)



## Installation of an horizontal scrubber :



## Example of metered products

Quicklime

Hydrated lime

Activated carbon

Sodium bicarbonate

Other products on request