

POLYMATIQUE TYPE AVP



Waste water



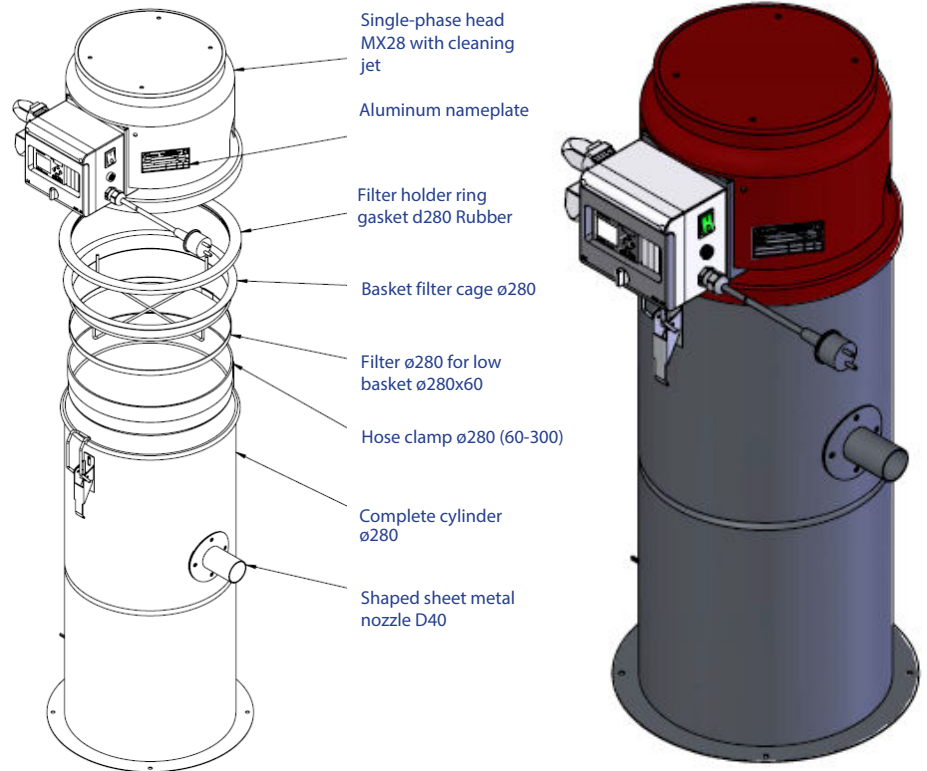
Drinking water

Vertical powder suction system, allowing to feed the storage hoppers installed on polymers preparation units, which are often inaccessible.

The Polymatic AVP has been designed to work with all polymer powders available on the market. Its unique design guarantees autonomous operation. Thanks to this suction system, operators no longer need to lift heavy bags into high and inaccessible hoppers.

The powder density is up to 0.7Kg/L.

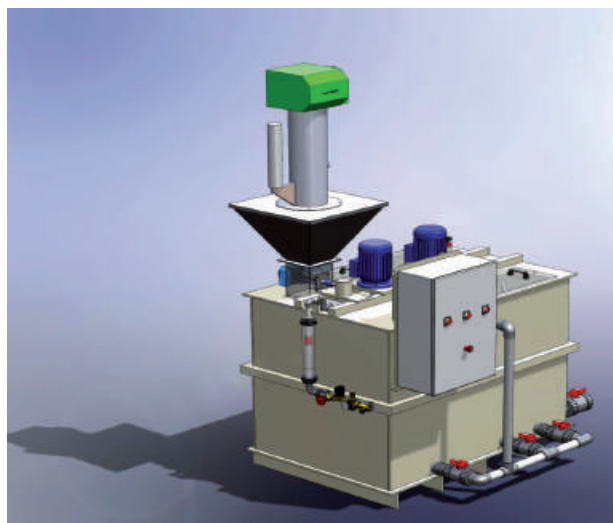
This system can be adapted to all our units as well as to other...



Advantages

- **Sturdiness**
- **Easy to use**
- **Reduced maintenance**
- **Automatic filter unclogging**
- **Autonomous operation**
- **Lightweight equipment (15Kg)**
- **Vacuum cleaner body material: stainless steel**
- **Programming screen**

Example of a vertical vacuum cleaner layout



POLYMATIQUE TYPE AVP

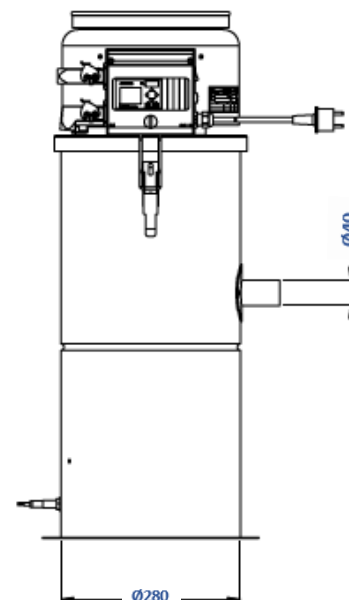
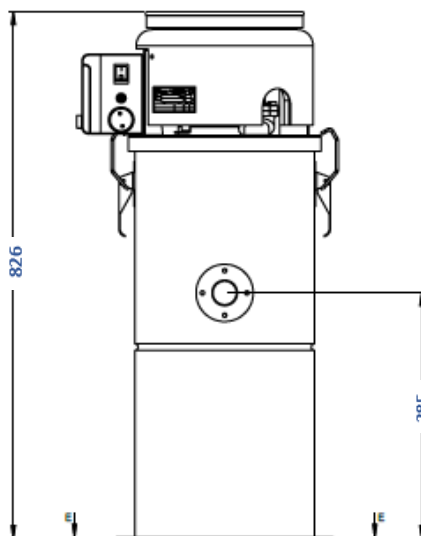
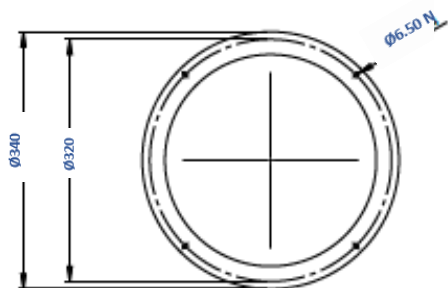


Waste water



Drinking water

MX28 PLAN



Specificities :

- Turnkey equipment
- Fast loading
- Integrated turbine of 1250 W
- Single-phase power supply separate from the control panel
- Tank capacity: 4 to 40 liters
- Possibility to adjust the suction for air dilution

Options

- Customized length of the powder supply hose
- Increased storage capacity
- Power supply from the electrical box of the central unit
- Others (On request...)

Caption	Unity	MX28
Body diameter	ø mm	280
Voltage	V	230/50-60 Hz
Power	Watt	1250
Aspiration	mbar	220
Maximum product flow rate Max Isometry: 6m length & 3m elevation	Kg/h	250
Container capacity	L	9
Input	ø mm	40
Discharge	mm	Clapet ø120
Compressed air pressure	Bar	4/6
Global size	cm	Ø28*82.6h