

# Flobin Unloader



Waste water



Drinking water



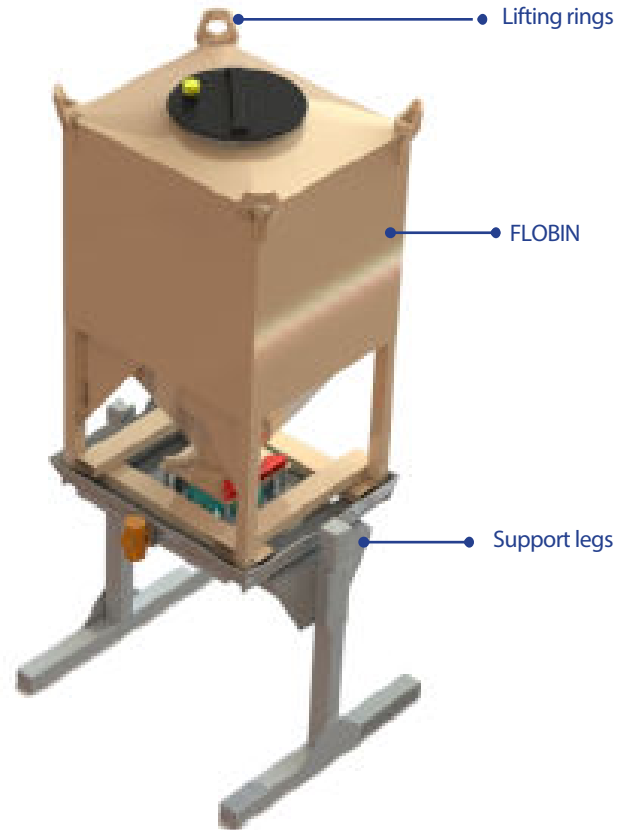
Air & smoke

## Discharger and Feeder unit for compact containers:

The FLOBIN unloader is adaptable for containers of different capacities and allows the automatic and complete discharging of the container towards the buffer hopper, without compacting the product.

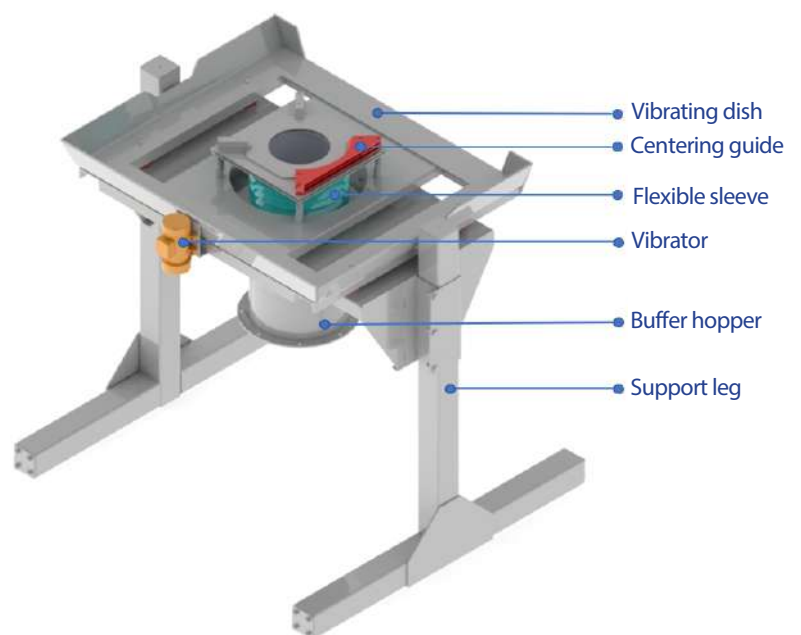
The loading/unloading of the FLOBIN is done by a forklift or a hoist in order to position the container on top of the unloading station.

The FLOBIN valve ensure a dust-free opening and emptying of the container.



## Advantages :

- Compact unit
- Versatility of the unloading station
- Easy assembly and operation
- Increased watertightness
- Dust-free discharging
- Supports containers up to 100 ft<sup>3</sup>
- Easy implementation
- Direct feeding





Waste water



Drinking water



Air & smoke

## Operation

The rigid container seats on the frame, whose operation is controlled by a product-presence detector placed in the receiving hopper.

Vibration only occurs when there is a lack of product, in order to prevent the product from settling. The receiving hopper is thus constantly fed to keep the dosing unit loaded.

The action of the arch-breaker ensures the continuous flowing of the product into the hopper and the feeding of the screw. The feeder can be rigid or flexible and can be used to lift the product to the point of use.



## Specifications

- **Fabrication material: Carbon Steel, Stainless Steel 304/316**
- **Fixed or variable feedrate**
- **Single or multiple screw feeders, rigid or flexible**

## Options

- **Load-cells system**

Handled products	Maximum feeder length
Quicklime	4 m max.
Hydrated Lime	up to 7m max. (depending on feedrate)
Powdered Activated Carbon (PAC)	up to 7m max. (depending on feedrate)
Microsand	4 m max.
Other products	to be defined after sample analysis

Screw feeder type	Feedrate*	Outside feeder Ø
30	50 l/h max.	40 mm
40	440 l/h max.	50 mm
70	1 400 l/h max.	76 mm
80	2 300 l/h max.	89 mm
100	3 600 l/h max.	104 mm
120	12 000 l/h max.	140 mm

\* feedrate may vary according to product and density